



savings
up **90%**

lifespan

ecology

NEW GENERATION TESLA LIGHTING

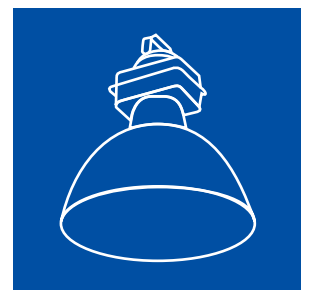
TESLA LVD INDUCTION HIGH BAY

Heavy duty industrial fixtures



Proven technology with high color fidelity and stable light output delivering savings up to 60%.

LVD induction lamps represent long lifespan, high color rendering and high light efficiency solution for modern and economical lighting. Designed to replace old fashioned high bays.

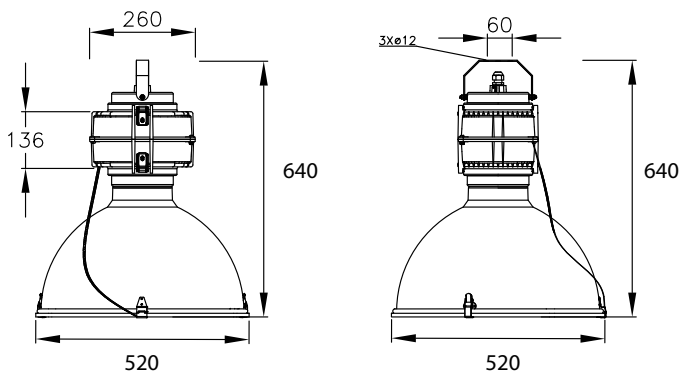


TESLA LVD INDUCTION HIGH BAY

CATALOG NUMBER	POWER	LUMINOUS FLUX	BEAM ANGLE	COLOR TEMPERATURE	CRI	LIFESPAN	POWER FACTOR	DIMENSIONS	WEIGHT	VOLTAGE	WORKING TEMPERATURE
IL5208xx-1CY	80W	7 925lm	119°	2700-6500K	≥80	50 000h	≥0,98	ø520x640mm	10,5kg	AC 110-277V	-25°C - +40°C
IL5208xx-1FY	80W	7 925lm	119°	2700-6500K	≥80	50 000h	≥0,98	ø520x640mm	10,5kg	AC 110-277V	-25°C - +40°C
IL5212xx-1CY	120W	11892lm	115°	2700-6500K	≥80	50 000h	≥0,98	ø520x640mm	11 kg	AC 110-277V	-25°C - +40°C
IL5212xx-1FY	120W	11892lm	115°	2700-6500K	≥80	50 000h	≥0,98	ø520x640mm	11 kg	AC 110-277V	-25°C - +40°C
IL5215xx-1CY	150W	13492lm	105°	2700-6500K	≥80	50 000h	≥0,98	ø520x640mm	11 kg	AC 110-277V	-25°C - +40°C
IL5215xx-1FY	150W	13492lm	105°	2700-6500K	≥80	50 000h	≥0,98	ø520x640mm	11 kg	AC 110-277V	-25°C - +40°C
IL5220xx-1CY	200W	16800lm	110°	2700-6500K	≥80	50 000h	≥0,98	ø520x640mm	11 kg	AC 110-277V	-25°C - +40°C
IL5220xx-1FY	200W	16800lm	110°	2700-6500K	≥80	50 000h	≥0,98	ø520x640mm	11 kg	AC 110-277V	-25°C - +40°C
IL5220xx-1CY	240W	16800lm	110°	2700-6500K	≥80	50 000h	≥0,98	ø520x640mm	11 kg	AC 110-277V	-25°C - +40°C
IL5220xx-1FY	240W	16800lm	110°	2700-6500K	≥80	50 000h	≥0,98	ø520x640mm	11 kg	AC 110-277V	-25°C - +40°C

CY: CLEAR COVER, FY: FROST COVER

Dimensions



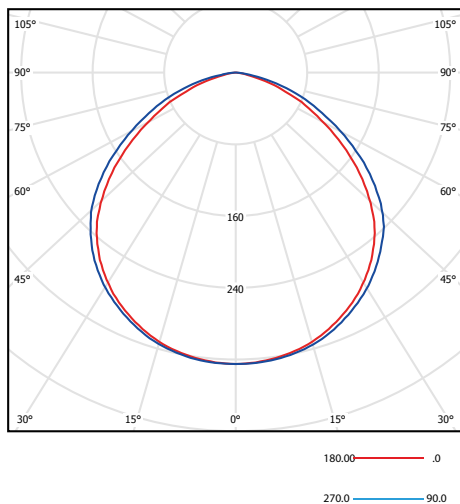
Features

- Heavy-duty, die-cast aluminum housing finished in light grey
- Hinge and lens retainer latches for tool-less access
- Gasketed, clear, tempered-glass lens inhibits the entrance of ambient contaminants
- Low heat generating (Operating temperature below 80°C)
- High purity aluminum reflector provides excellent light reflectance
- IP65 rating (optional)
- Non dimmable

Applications

- Warehouse, Car Park, Repair and Maintenance Centre, Factory, Hypermarkets

Photometric Curve



Energy efficiency

