



savings
up **90%**

long
lifespan

ecology

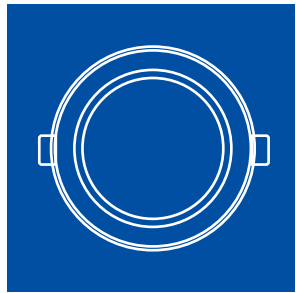
NEW GENERATION TESLA LIGHTING

TESLA LED DOWNLIGHT

Effective interior installation

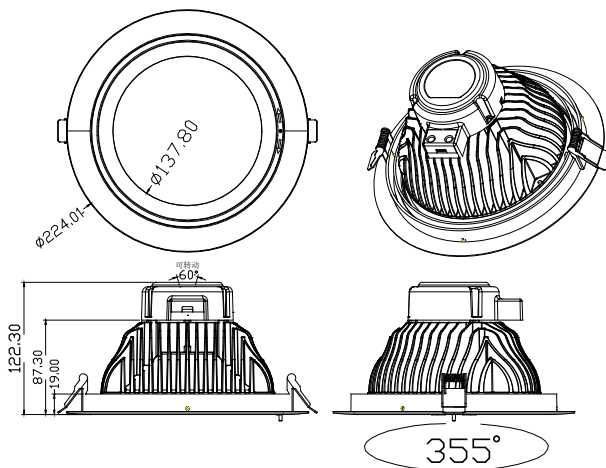


Powerful downlight luminaire that meets high demands on lighting and variability. Can be adjusted 360° horizontally and 60° vertically. Body made of die-cast aluminium. COB LED chip delivers up to 120lm / W and patented heat outlet design ensures lasting low temperature of the luminaire. Perfect replacement of luminaires with halogen or PLC light sources.



TESLA LED DOWNLIGHT

KATALOGNUMBER	POWER	LUMINOUS FLUX	BEAM ANGLE	COLOR TEMPERATURE	LIFESPAN	CRI	DIMENSIONS	WEIGHT	WORKING TEMPERATURE	VOLTAGE	PF
DL243560-1	35W	4420lm	90°	6000K	50 000h	≥80	Ø224x122,3mm	1,47Kg	-20°C - +40°C	AC 100-240V	>0,92
DL243550-1	35W	4360lm	90°	5000K	50 000h	≥80	Ø224x122,3mm	1,47Kg	-20°C - +40°C	AC 100-240V	>0,92
DL243540-1	35W	4300lm	90°	4000K	50 000h	≥80	Ø224x122,3mm	1,47Kg	-20°C - +40°C	AC 100-240V	>0,92



Features

- Body of the luminaire is made of aluminium
- Patented heat outlet for long lifespan
- High quality COB chips
- High savings in energy
- Replacement to halogen or CFL downlights

Application

- Hotel lobbies, offices, exhibition spaces, clubs and other indoor spaces

Energy Efficiency Class

